

Panel mount Fuse Holder for ATU Fuse

Specification:

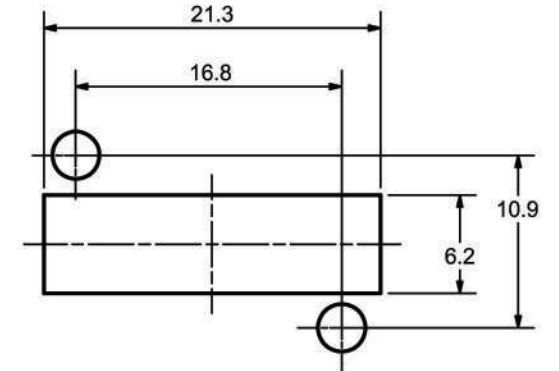
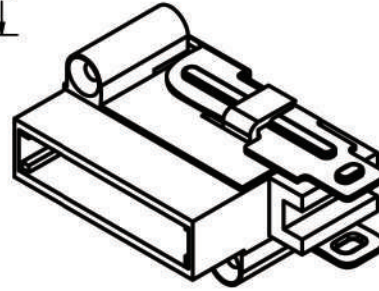
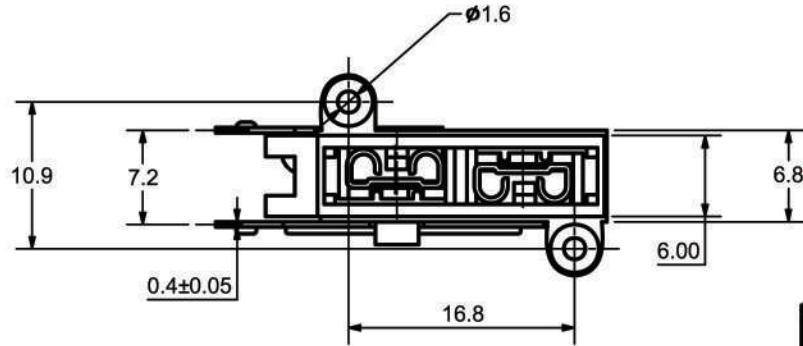
Electric:Max. 20A 32V

Insulation Body:Nylon

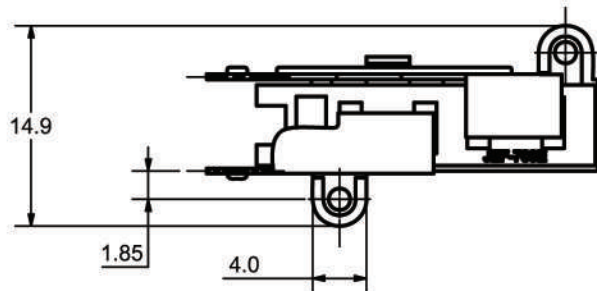
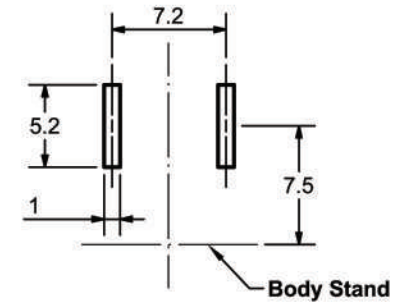
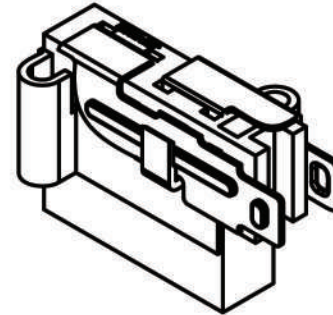
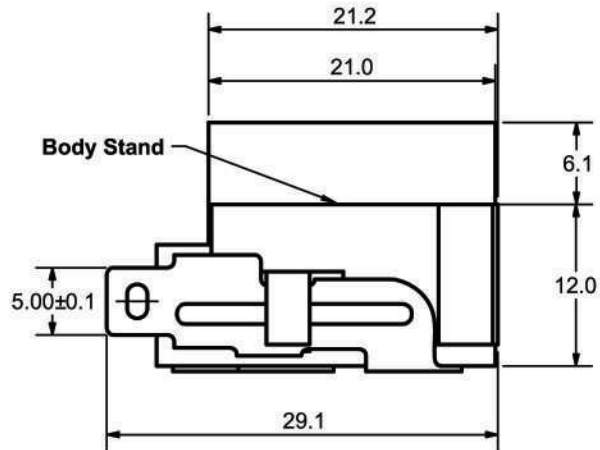
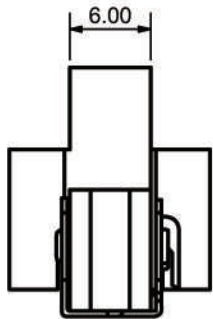
Contacts:Brass



Terminal connecting forces:Insertion and withdrawal 35~50N

Thickness:0.4mm Bright Tin plated



SUITABLE CHASSIS REFERENCE SIZE



UNLESS OTHERWISE SPECIFIED DIMENSIONS ARE IN MM TOLERANCE DECIMALS ANGULAR X± 0.5 ± 2' XX± 0.25 DO NOT SCALE DRAWING		CUSTOMER NO.	DONGGUAN TIANRUJ ELECTRONIC CO., LTD.
		DRAWN BY	
 		CHECKED BY	TITLE
		APPROVED BY	Panel Mount Fuse Holder
P/N	C520200004N	DATE	2008/1/28
REV	B	SCALE	PART NO. SL-703E
			DRAWING NO. BA04100600